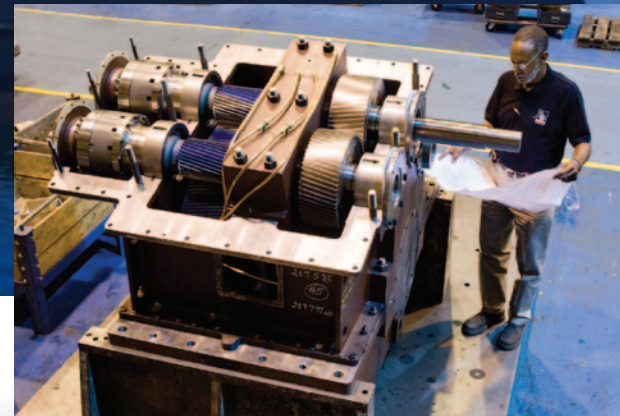




# LUFKIN heavy duty high speed reverse reduction gear solutions



Gear unit ratio vs. input power

	KW	747	856	969	1081	1193	1305	1417	1529	1641	1752	1864	1976	2088	2200	2312	
	BHP	1000	1150	1300	1450	1600	1750	1900	2050	2200	2350	2500	2650	2800	2950	3100	
16.5		5.19	4.51		4.13			3.71									RS 1650-HG
18.5		5.90	5.26		4.95			4.73		4.48			4.04				RS 1850-HG
21.5		7.00	6.68		5.58			5.39				5.12					RS 2150-HG
24.5		8.14	7.73	7.26	6.91			6.59		6.22			5.96				RS 2450-HG
26.5		8.81	7.96	7.52		7.18		6.87				6.54					RS 2650-HG
28.5																	RS 2850-HG
						7.82				7.51							
34.5																	RS 3450-HG
																	RD-HG
													11.80				
																	9.90

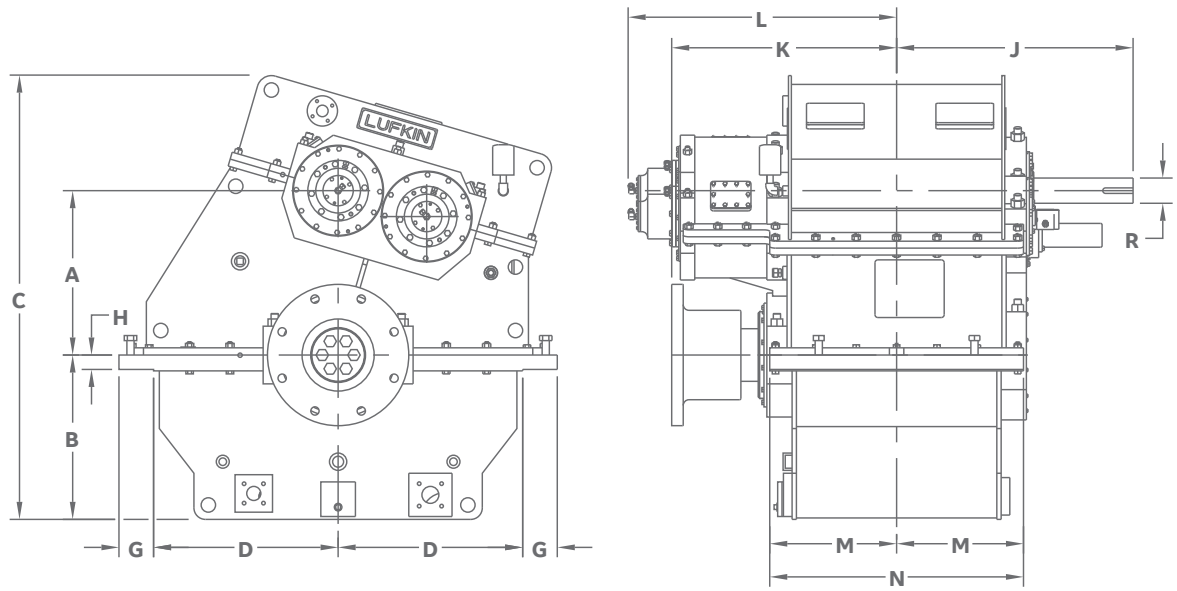
DOUBLE REDUCTION UNITS AVAILABLE UP TO 4,000 HP

Reverse gear and clutches rated for full power and speed.

\*Torque ratings based on 1,800 rpm.  
\*\*Ratios shown are maximum ratios.

# Heavy duty high speed reverse reduction gear solutions

**Type RS-HG**  
Configuration:  
vertical shaft  
offset reversing



Unit	A	B	C	D	G	H	J	K	L	M	N	R	Weight
<b>1650</b>	16.5 419.1	18 457.2	48 1219.2	15 381	5 127	1.5 38.1	25 635	18 457.2	38 965.2	14 355.6	28 711.2	3.50 88.9	8,100 3,670
<b>1850</b>	18.5 469.9	19.5 495.3	52.8 1339.9	18 457.2	6 152.4	1.5 38.1	28 711.2	20 508	39 990.6	16 406.4	32 812.8	3.75 95.3	9,500 4,310
<b>2150</b>	21.5 546.1	22.3 565.2	60 1524	22 558.8	6 152.4	1.5 38.1	31.7 805.2	26 660.4	41.5 1054.1	17 431.8	34 863.6	4.00 101.6	11,000 4,990
<b>2450</b>	24.5 622.3	26 660.4	67.8 1720.9	25 635	6 152.4	1.8 44.5	31.4 797.6	44.8 1137.9	40.9 1038.9	16 406.4	32 812.8	3.75 95.3	14,000 6,530
<b>2650</b>	26.5 673.1	27 685.8	72 1828.8	29 736.6	6 152.4	2.0 50.8	38 965.2	35 889	45 1143	20 508	40 1016	4.50 114.3	19,800 8,980
<b>2850</b>	28.5 723.9	28.5 723.9	77 1955.8	32 812.8	6 152.4	2.5 63.5	41 1041.4	39 990.6	46.5 1181.1	22 558.8	44 1117.6	4.75 120.7	23,400 10,600
<b>3450</b>	34.5 876.3	34 863.6	91.5 2324.1	41 1041.4	6 152.4	2.5 63.5	46 1168.4	50 1270	51 1295.4	26 660.4	52 1320.8	5.37 136.4	32,500 14,740

Dimensions shown are average values but may vary depending on ratio, horsepower, and customer requirements.

Black dimensions/weights are in inches/pounds. Blue dimensions/weights are in millimeters/kilograms.

**NOTE: Above dimensions are not to be used for unit installation. Use only a certified installation print.**

© 2019 Baker Hughes, a GE company, LLC – All rights reserved.

Baker Hughes, a GE company, LLC and its affiliates ("BHGE") provides this information on an "as is" basis for general information purposes and believes it to be accurate as of the date of publication. BHGE does not make any representation as to the accuracy or completeness of the information and makes no warranties of any kind, specific, implied or oral, to the fullest extent permissible by law, including those of merchantability and fitness for a particular purpose or use. BHGE hereby disclaims any and all liability for any direct, indirect, consequential or special damages, claims for lost profits, or third party claims arising from the use of the information, whether a claim is asserted in contract, tort, or otherwise. The BHGE logo and Lufkin are trademarks of Baker Hughes, a GE company, LLC. GE and the GE monogram are trademarks of General Electric Company used under trademark license.

BHGE\_Lufkin\_Heavy\_Duty\_High\_Speed\_FS-041119